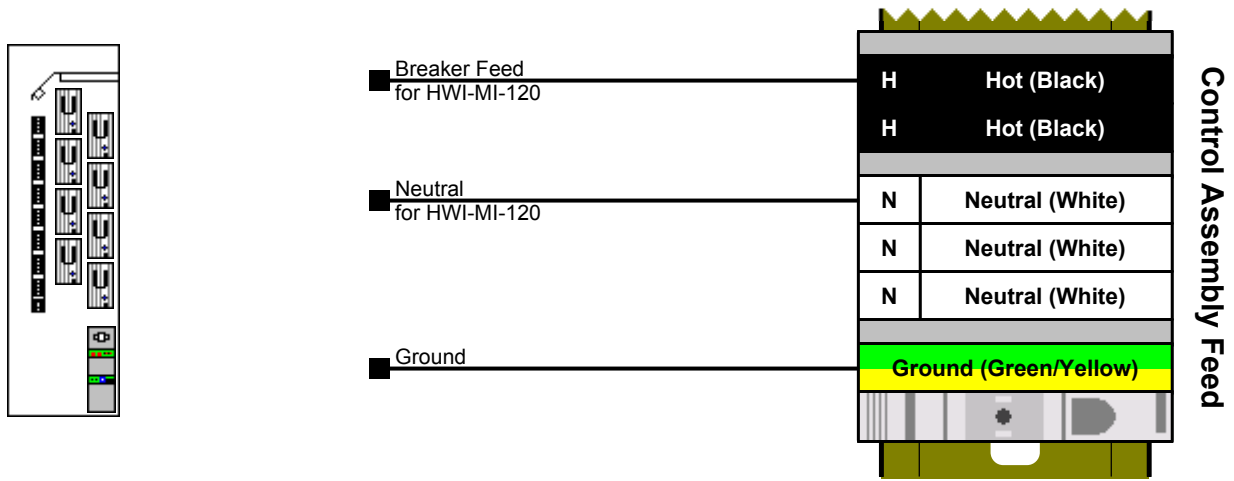


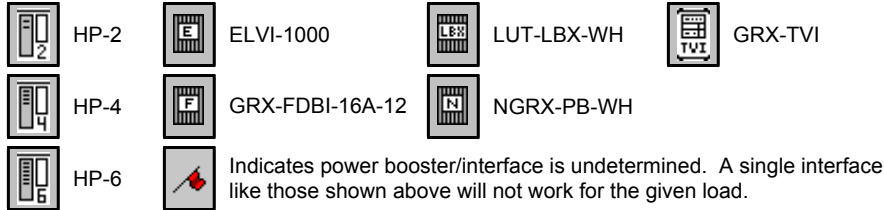
# RPM Load Wiring Report: Equipment Location/Panel 2



## Legend

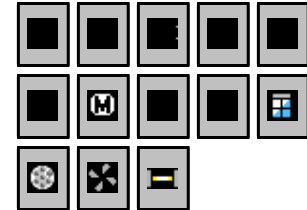
### Interfaces

The following icons indicate the types of power boosters and interfaces required when controlling a given load.

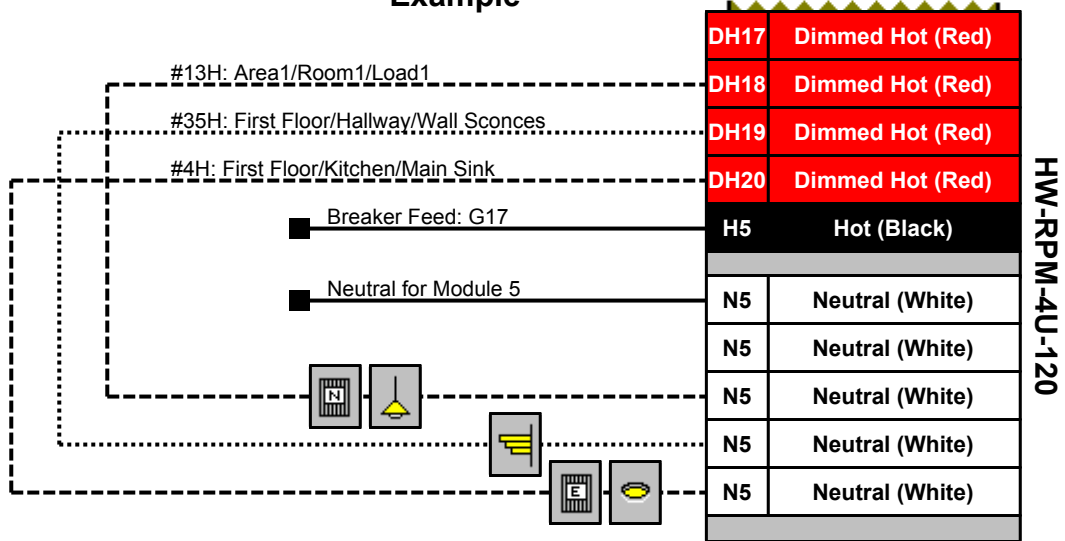


### Loads

The following icons indicate the types of fixtures being controlled.



## Example

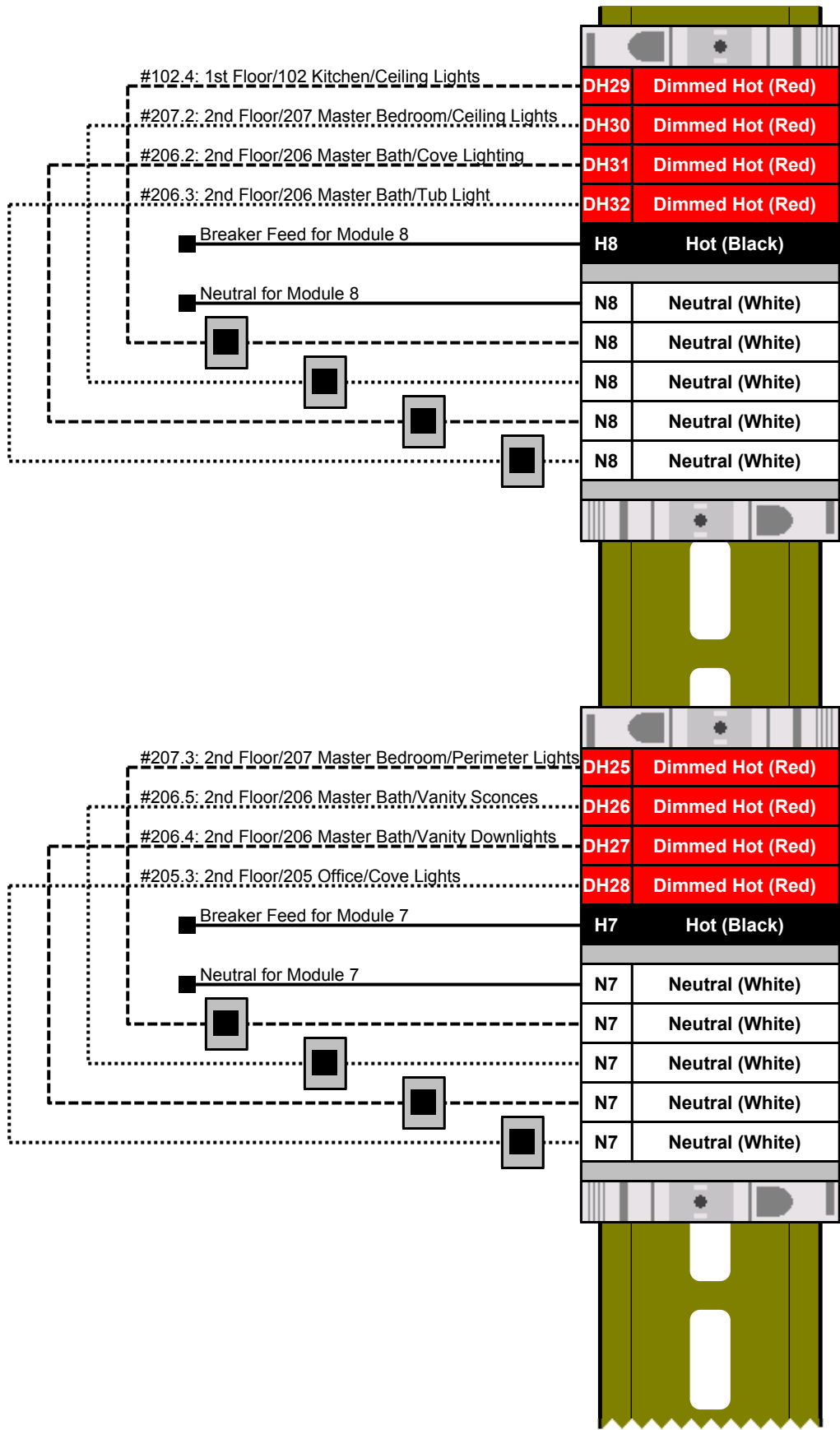
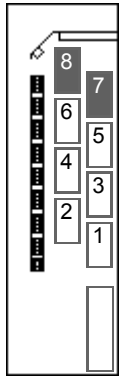


The RPM-4U is powered from Breaker Feed G17 and has module address 5. The dimmed hot for DH18 is circuit #13H wired to an NGRX-PB power booster which controls a pendant fixture. The "Hallway/Wall Sconces" on output 3 (DH19) do not require an interface. In the kitchen, the main sink loads are electronic low-voltage downlights which require an interface (ELVI).



**CAUTION - All wiring must be installed in accordance with all local and national electrical codes. This report is for reference only. All products must be installed in accordance with the installation instructions packaged with the units.**

# RPM Load Wiring Report: Equipment Location/Panel 2



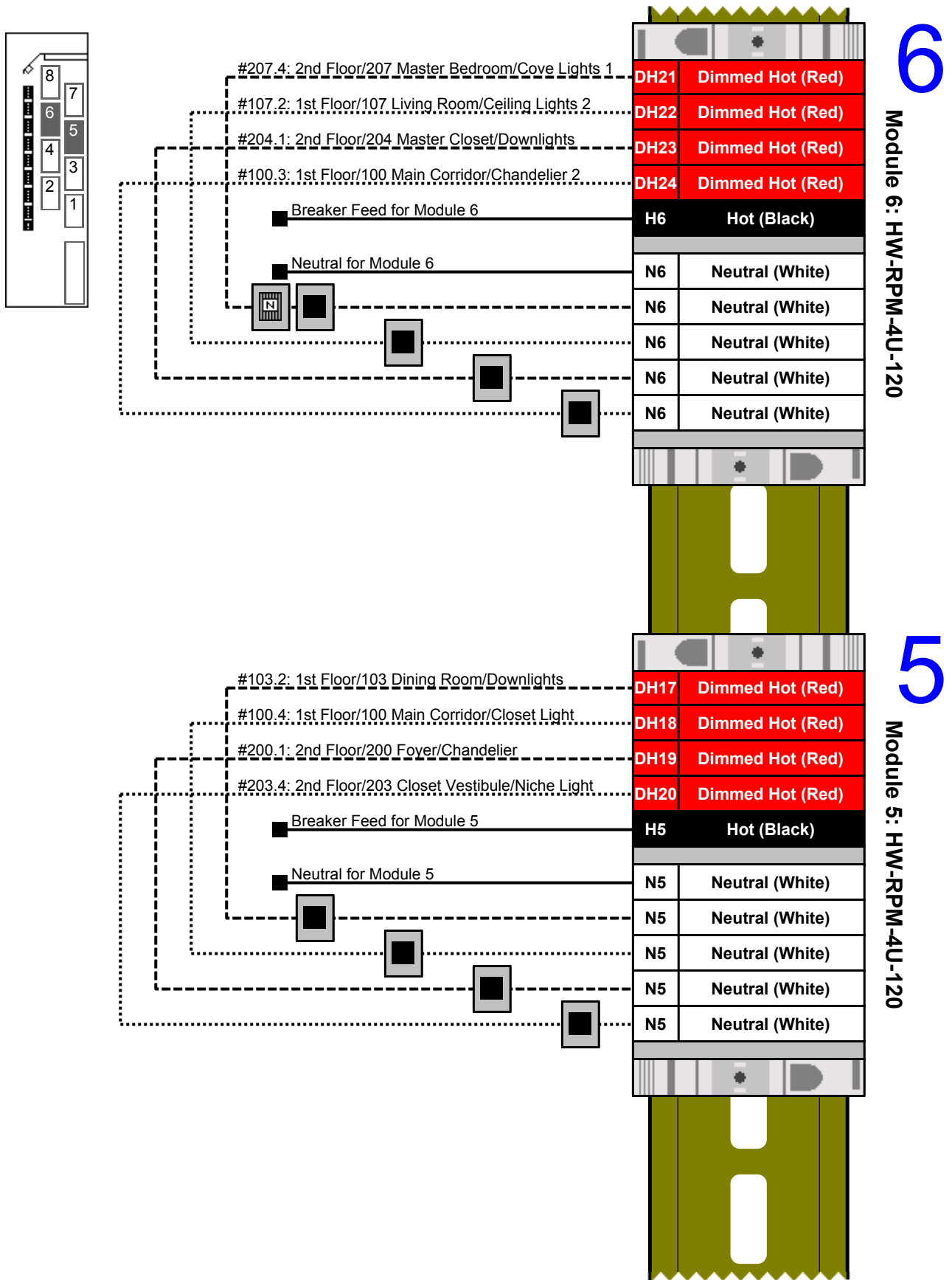
8

Module 8: HW-RPM-4U-120

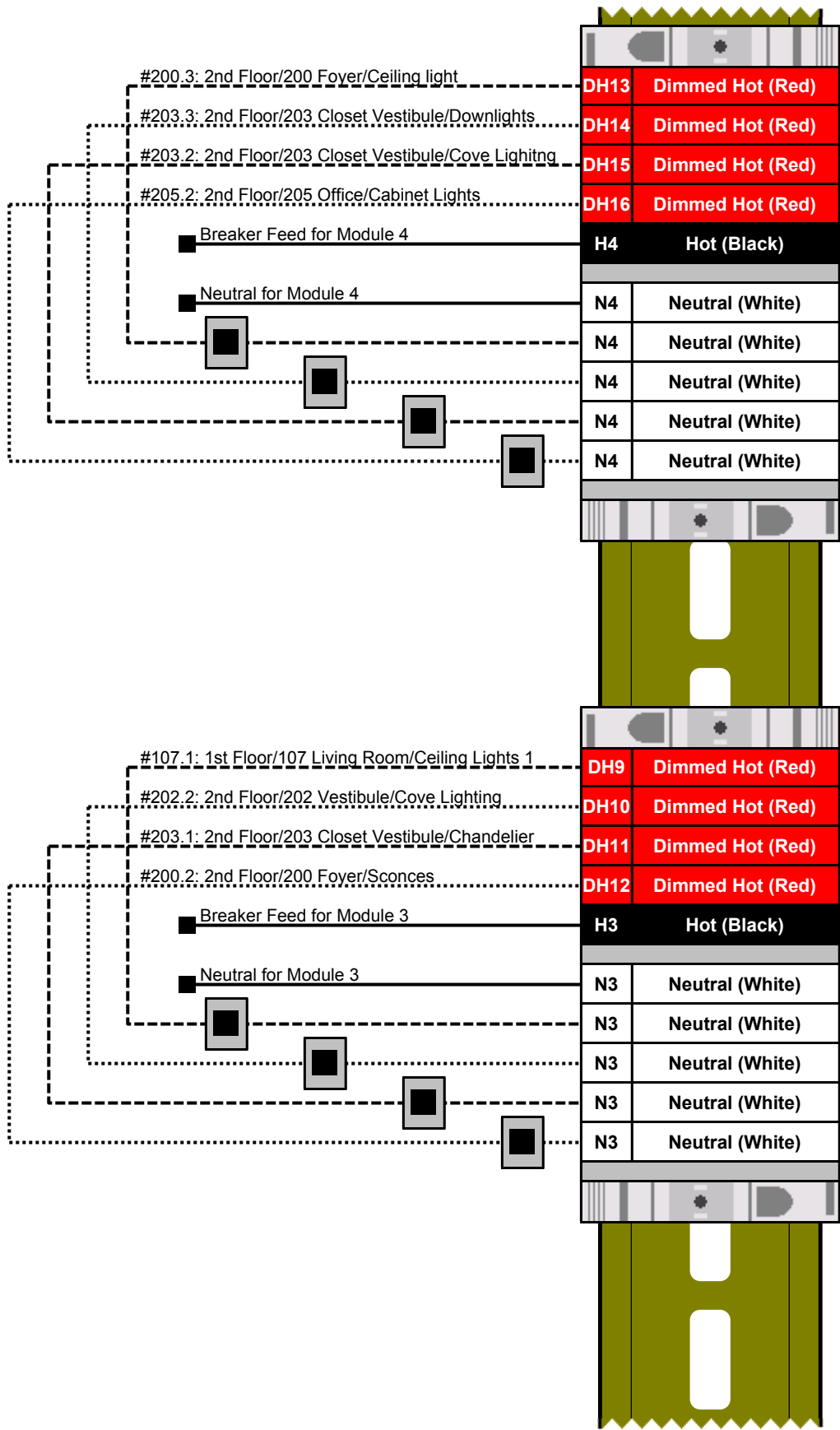
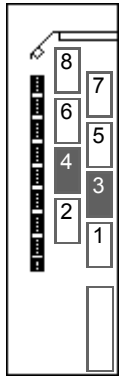
7

Module 7: HW-RPM-4U-120

# RPM Load Wiring Report: Equipment Location/Panel 2



# RPM Load Wiring Report: Equipment Location/Panel 2



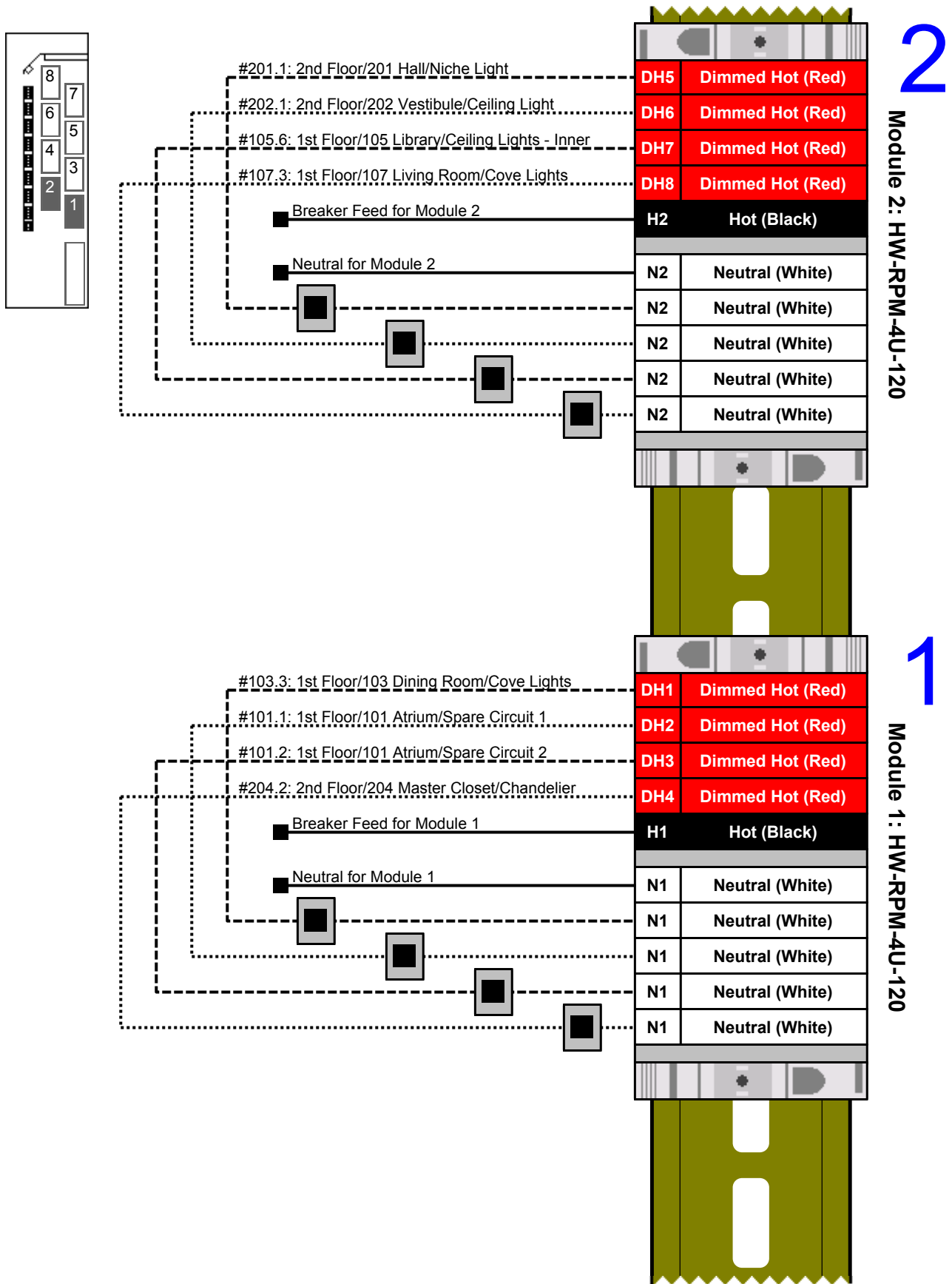
4

Module 4: HW-RPM-4U-120

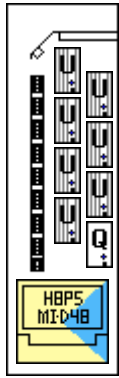
3

Module 3: HW-RPM-4U-120

# RPM Load Wiring Report: Equipment Location/Panel 2



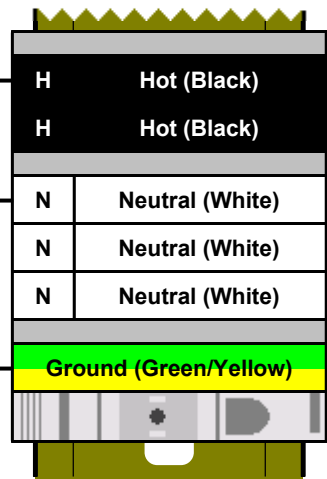
# RPM Load Wiring Report: Equipment Location/Panel 1



Breaker Feed  
for H8P5-MI-D48-120

Neutral  
for H8P5-MI-D48-120

Ground

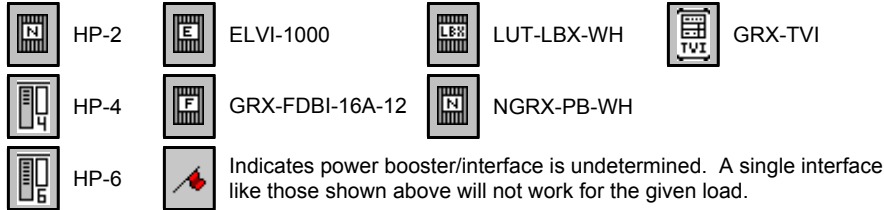


Control Assembly Feed

## Legend

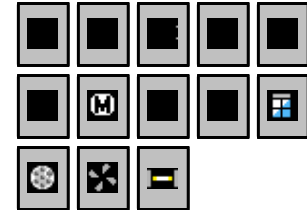
### Interfaces

The following icons indicate the types of power boosters and interfaces required when controlling a given load.

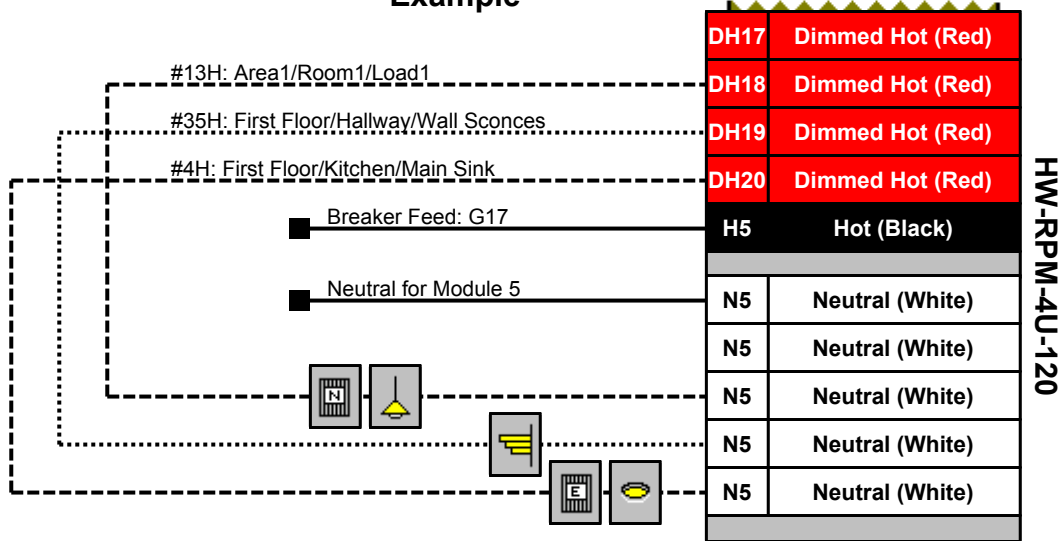


### Loads

The following icons indicate the types of fixtures being controlled.



## Example



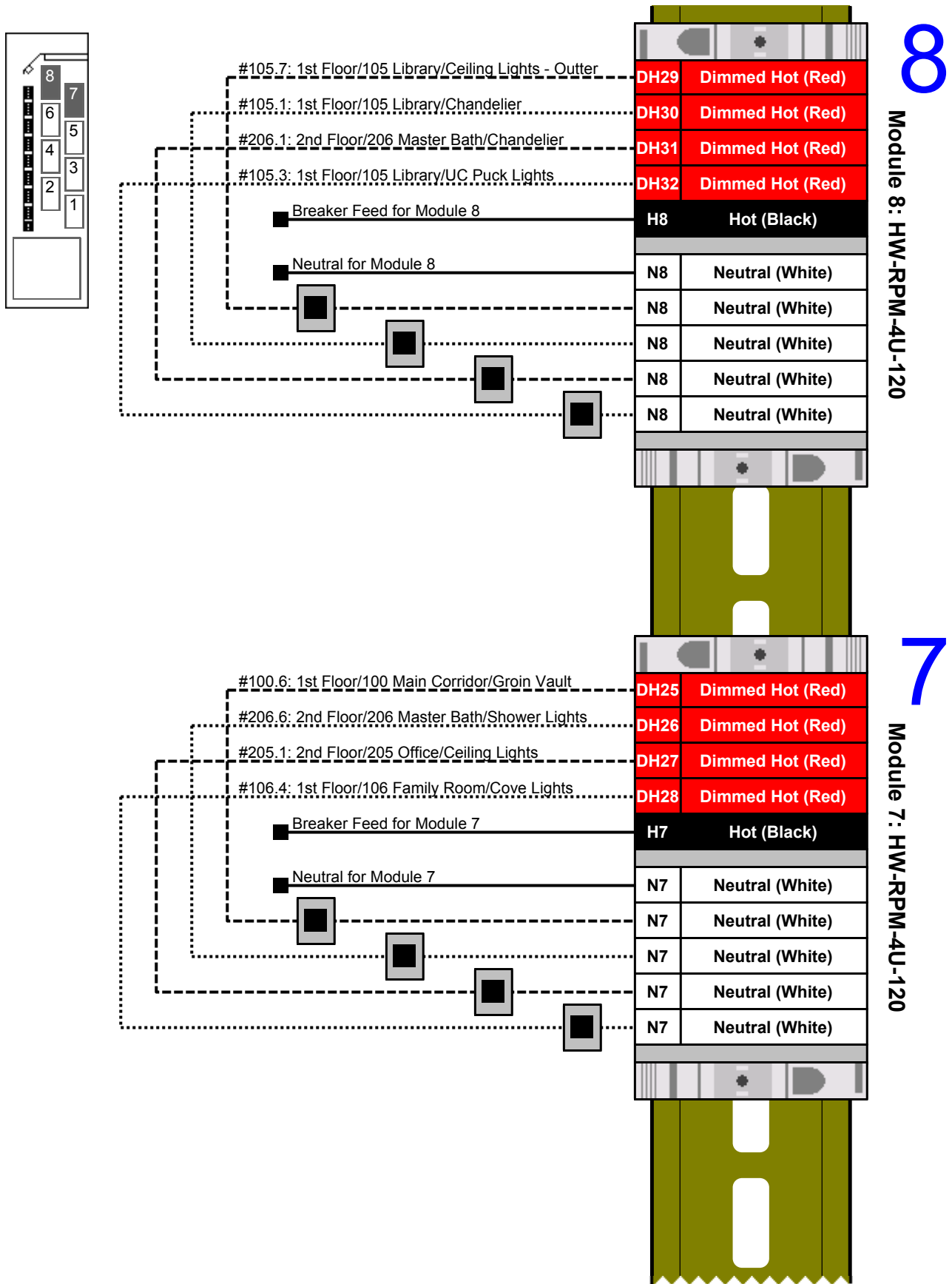
HW-RPM-4U-120

The RPM-4U is powered from Breaker Feed G17 and has module address 5. The dimmed hot for DH18 is circuit #13H wired to an NGRX-PB power booster which controls a pendant fixture. The "Hallway/Wall Sconces" on output 3 (DH19) do not require an interface. In the kitchen, the main sink loads are electronic low-voltage downlights which require an interface (ELVI).

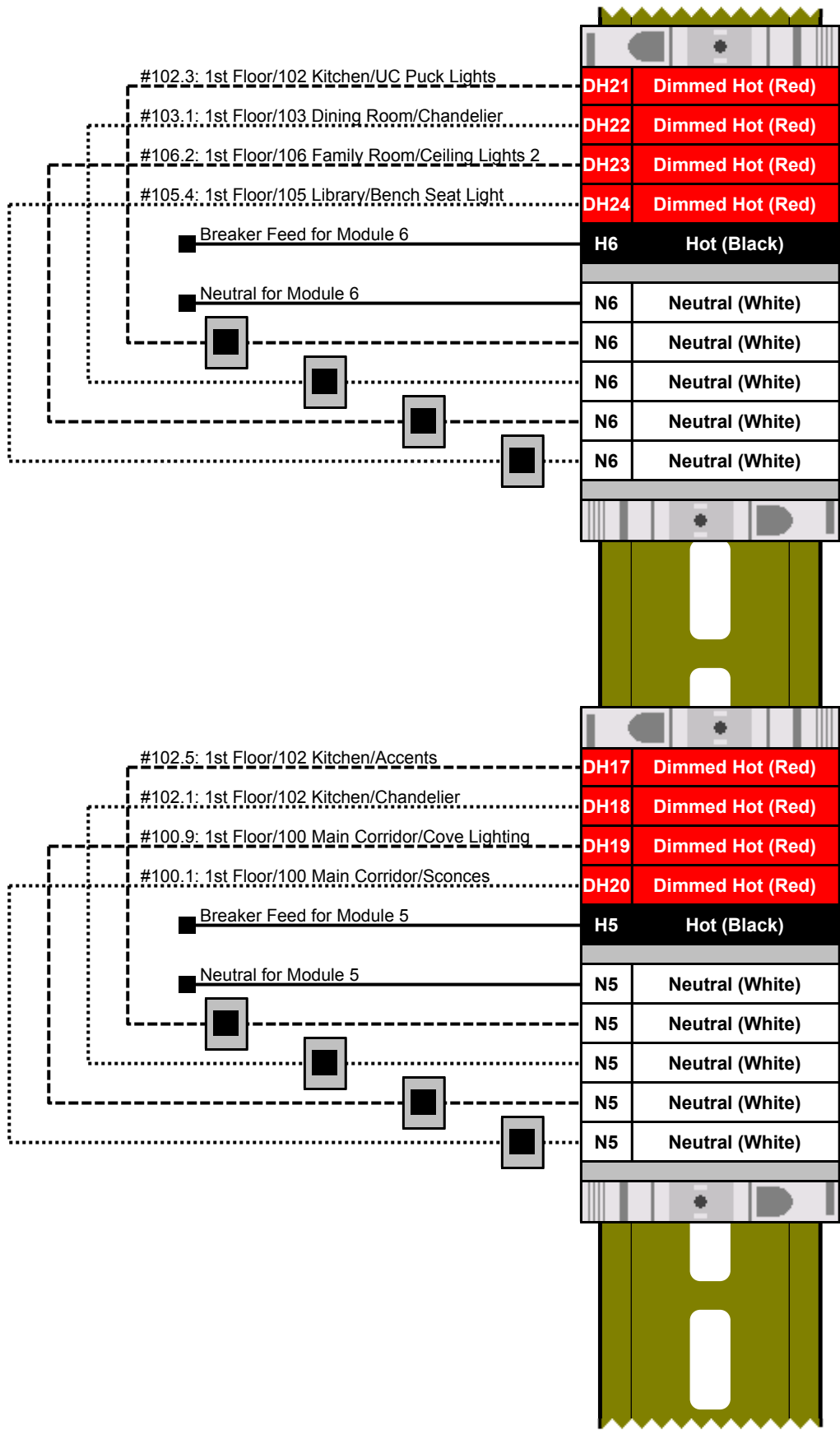
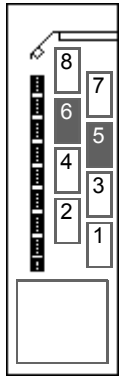


**CAUTION - All wiring must be installed in accordance with all local and national electrical codes. This report is for reference only. All products must be installed in accordance with the installation instructions packaged with the units.**

# RPM Load Wiring Report: Equipment Location/Panel 1



# RPM Load Wiring Report: Equipment Location/Panel 1



6

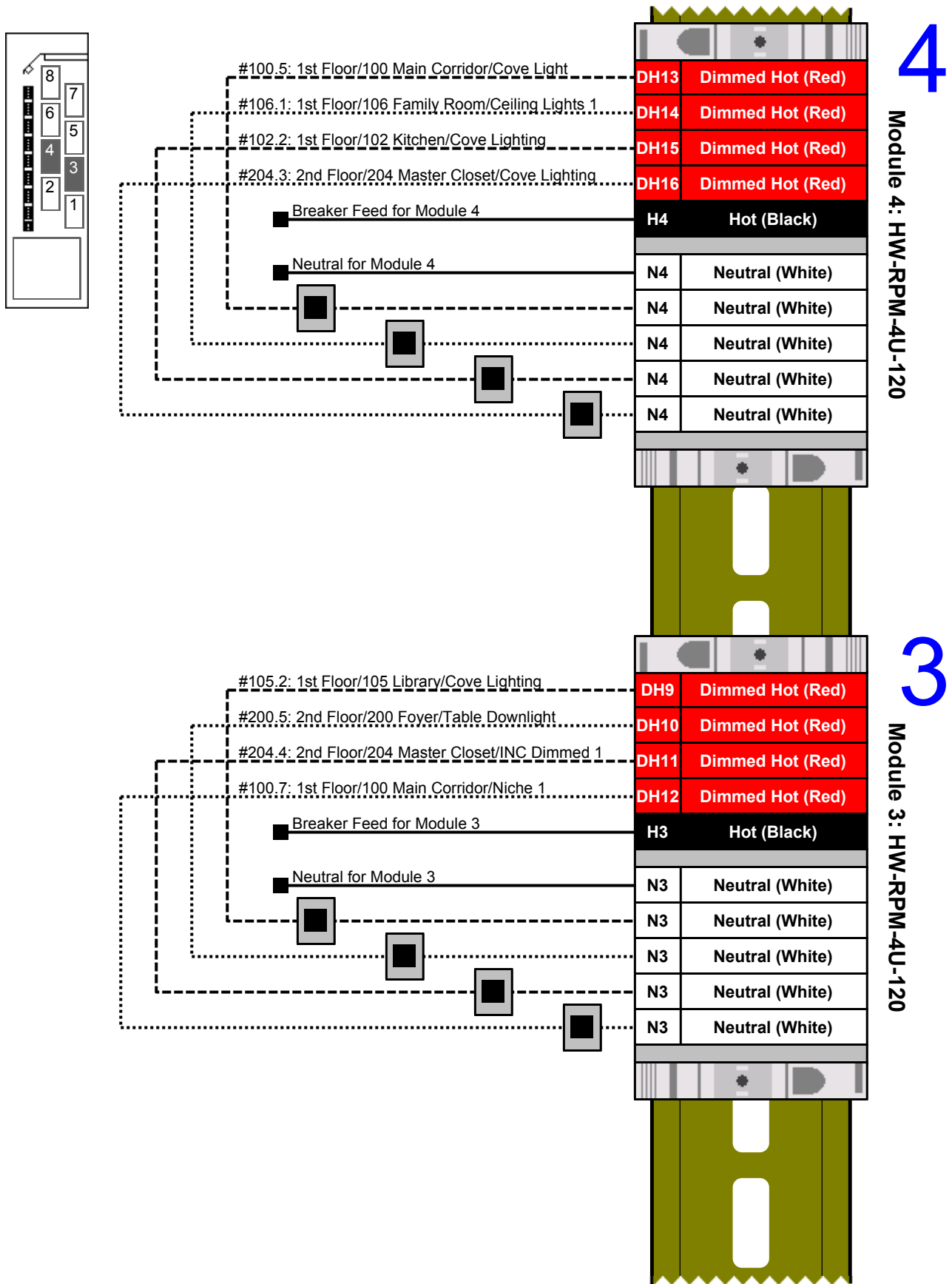
Module 6: HW-RPM-4U-120

5

Module 5: HW-RPM-4U-120



# RPM Load Wiring Report: Equipment Location/Panel 1



# RPM Load Wiring Report: Equipment Location/Panel 1

